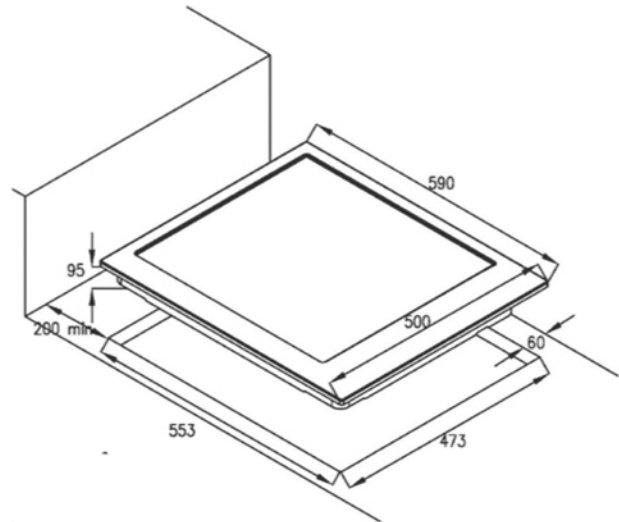




# Everything For Gas

## Gas Cooktop 600mm — GC604MSFE

Product Code - CG1000



### Product Specifications \*

Finish	Stainless steel
Dimensions	590 x 500 mm
Power Source	Natural Gas / LPG
Trivets	Black enamelled steel
Burners	Triple ring wok burner (3.6kW) 2 x semi rapid burner (1.75kW) Auxiliary burner (1.0kW)
Controls	Side controls
Features	Flame failure devices Italian SABAF burners Wok trivet Automatic under knob ignition All trivets, burner caps and knobs are removable and dishwasher safe
Options	Cast iron trivets
Warranty	3 years

\*Specifications and product size may change without notice. Shinda International is not responsible for any errors or omissions.  
All dimensions and images are for illustrative purposes and cut-outs should be based on physical product measurements.

Everything for Gas Unit 5/11 Taree Street Burleigh Heads 4220  
admin@everythingforgas.com 0755 220 507

**Di** **LUSO**  
APPLIANCES