

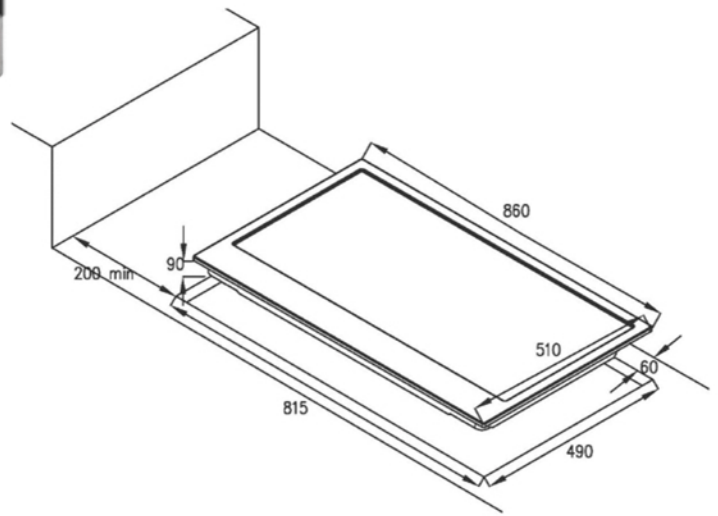


Everything For Gas

Gas Cooktop 900mm — GC905MSFC



Product Code - CG1015



DiLUSO
APPLIANCES

Product Specification

Finish	Stainless steel
Dimensions	860 x 510mm
Power Source	Natural Gas / LPG
Trivets	Cast iron trivets
Burners	Triple ring wok burner (3.6kW) Rapid burner (3.0kW) 2 semi rapid burners (1.75kW) Auxiliary burner (1.0kW)
Controls	Front knob controls
Features	Flame failure devices Italian SABAF burners Side triple ring wok burner Wok trivet included Automatic under knob ignition All trivets, burner caps and knobs are removable and dishwasher safe
Warranty	3 years