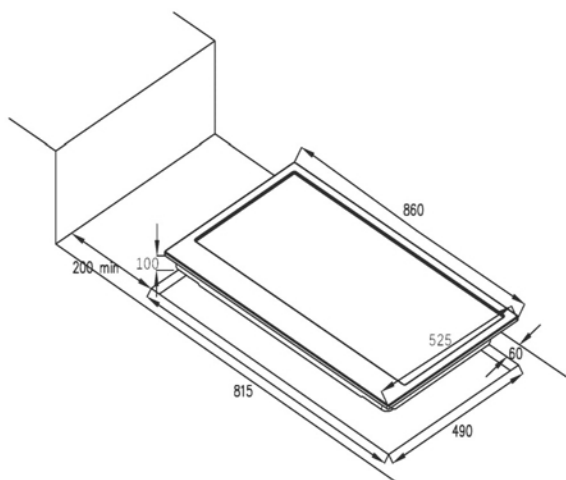


# Everything For Gas

## Gas Cooktop 900mm — GC905MBFCC

Product Code - CG1020



### Product Specifications\*

Finish	Black Glass
Dimensions	860 x 525mm
Power Source	Natural Gas / LPG
Trivets	Cast iron trivets
Burners	Triple ring wok burner (3.6kW) Rapid burner (3.0kW) 2 semi rapid burners (1.75kW) Auxiliary burner (1.0kW)
Controls	Front knob controls
Features	Flame failure devices Italian SABAF burners Wok trivet included Cast iron trivets Automatic under knob ignition All trivets, burner caps and knobs are removable and dishwasher safe
Warranty	3 years

\*Specifications and product size may change without notice. Shinda International is not responsible for any errors or omissions.

All dimensions and images are for illustrative purposes and cut-outs should be based on physical product measurements.

Everything for Gas Unit 5/11 Taree Street Burleigh Heads 4220  
admin@everythingforgas.com 0755 220 507

**Di** **LUSSO**  
APPLIANCES