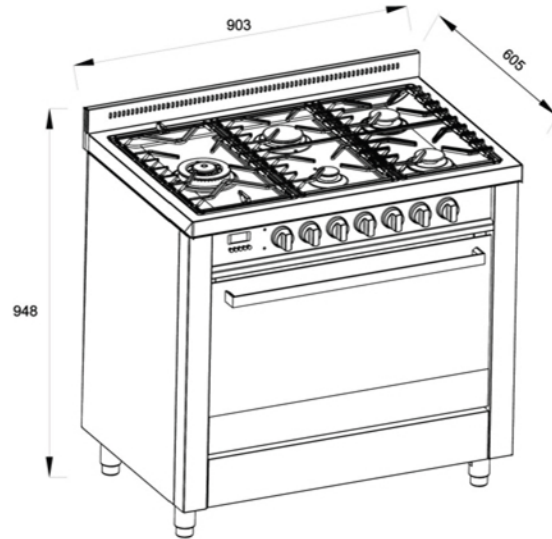





Everything For Gas

Freestanding Dual Fuel Cooking 900mm — FS909G5SSD

Product Code - DI1030



Product Specifications *

HOB	5 burner gas cooktop with side wok burner Cast iron trivets Triple ring wok burner	Italian SABAF burners Flame failure device on all burners Under knob ignition
Dimensions		
Burners	Wok (12.5mj/hr) Large (11.5mj/hr)	Medium x 2 (6.7mj/hr) Auxiliary (4.0mj/hr)
Oven	98L,v9 function oven  Triple glazed removable cool touch door LED Programmable timer	High grade, easy clean enamel Cavity Cooling System
Standard Accessories	4 x telescopic rails 2 x telescopic racks 1 x telescopic baking tray 1 x grill insert 2 x rack tongs Push in pop out storage drawer	
Options	LPG Converter	
Shelves	4 positions	
Warranty	3 years	

*Specifications and product size may change without notice. Shinda International is not responsible for any errors or omissions.

All dimensions and images are for illustrative purposes and cut-outs should be based on physical product measurements.

Everything for Gas Unit 5/11 Taree Street Burleigh Heads 4220
admin@everythingforgas.com 0755 220 507

DiLUSSO
APPLIANCES