

WASHING MACHINE STOPS

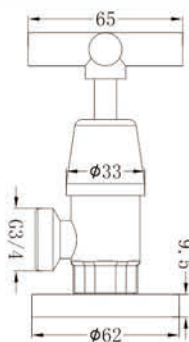
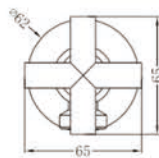
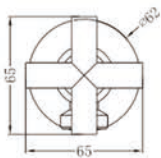


SPECIFICATION

PRODUCT CODE	YSW2016-09D
WELS RATING	N/A
WATERMARK LICENSE	WM-060073
TEMPERATURE RATING	MIN 1°C-MAX 75°C
PRESSURE RATING	MIN 150KPa-MAX 500KPa

FINISH

■ NR201609dMB matt black



MAINTENANCE AND CARE

All surfaces should be cleaned with mild liquid detergent or soap and water.

Do not use cream cleaners or citrus based cleaning products, as they are abrasive.

Use of unsuitable cleaning agents may damage the surface. Any damage caused in this way will not be covered by warranty.

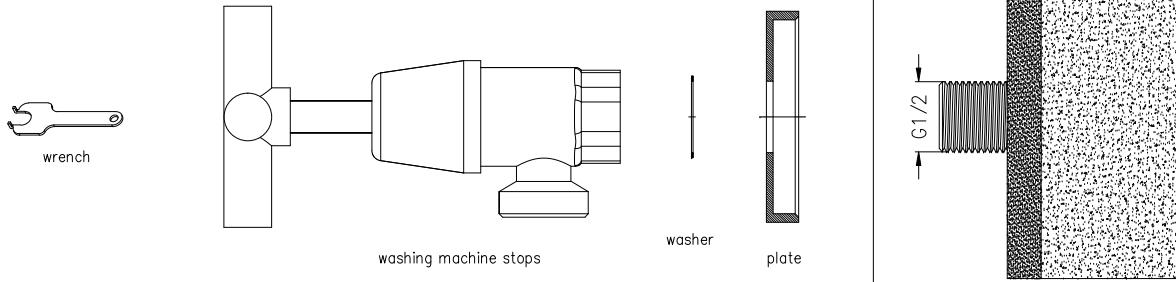
PACKAGING INCLUDES

- 2x hand wheel
- 1x wrench
- 1x installation kit

Dimensions are nominal measurements only.

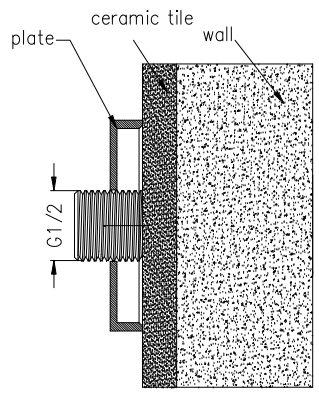


1



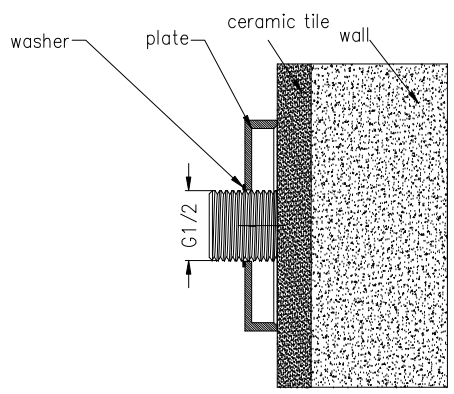
Please fixing on G $\frac{1}{2}$ outlet in advance as picture.

2



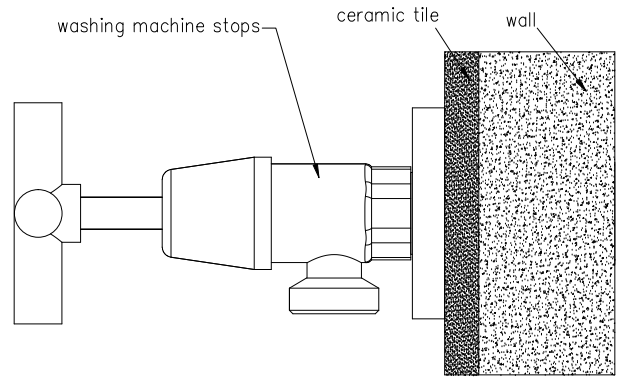
1.Put plate onto the G $\frac{1}{2}$ outlet.

3



1.Put washer onto the G $\frac{1}{2}$ outlet.

4



1.Put washing machine stops onto the G $\frac{1}{2}$ outlet, and adjust the rotation angle of it.